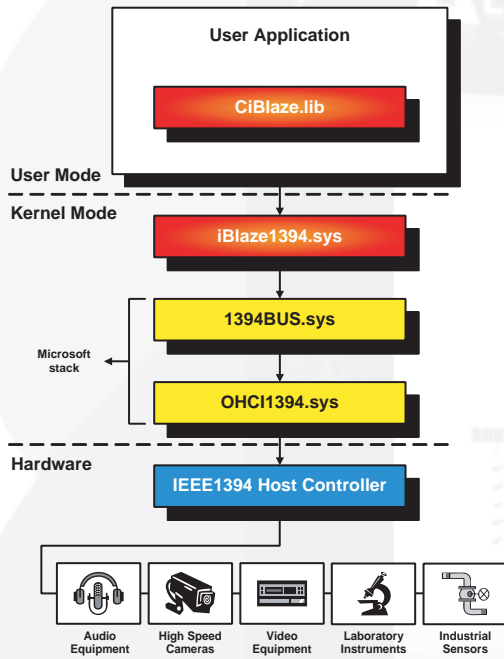


## iBlaze1394 Development Kit IEEE1394 Device Driver and Software Toolkit



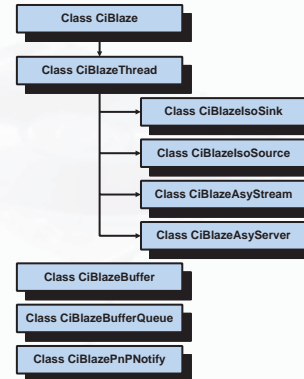
The iBlaze1394 SDK provides an easy and convenient method for obtaining the maximum performance out of any IEEE1394a/b device. It reduces development overhead and allows for a faster time to market by permitting software teams to focus on application development rather than low level device driver development and integration.

### Features Summary

- ✓ Support for Windows 2000, XP and 2003 Server
- ✓ Convenient object oriented C++ driver interface library
- ✓ Driver interface exposing all IEEE1394 functions
- ✓ Full support of 1394a and 1394b
- ✓ Overlapped I/O with device driver IRP queuing
- ✓ Asynchronous raw mode addressing
- ✓ Isochronous resource allocation at IRM node
- ✓ Virtual IEEE1394 device support
- ✓ Extensive documentation backed by code examples

### C++ Interface Library

The C++, CiBlaze library provides a convenient way for interfacing to the iBlaze1394.sys driver. Full source code is included.

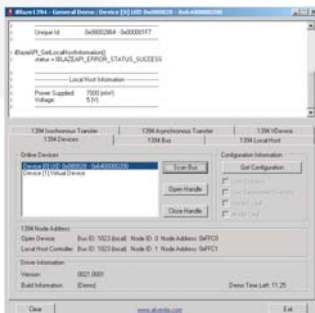


### Typical Applications

- ❑ Machine Vision Systems
- ❑ Industrial Sensors and Control
- ❑ Professional Audio and Video Devices
- ❑ Medical Equipment
- ❑ Test and Measurement Equipment
- ❑ PC Cameras

### Demo Application

An evaluation application, iBlazeGEN is provided with full source code. It completely exercises the iBlaze1394.sys driver interface.



For additional information please contact:

ALVENTIX Technologies Inc.  
30 Grand Trunk Crescent, Suite 2102  
Toronto, ON, Canada, M5J 3A4  
Phone: +1 (416) 519 - 2053  
Fax: +1 (416) 551 - 4494  
Email: [info@alventix.com](mailto:info@alventix.com)  
Web: <http://www.alventix.com>

